

SHOOTING PANTS ORDER FORM

The diagram shows a person from the back and from the side. Measurements are indicated by letters A through G. A is waist width, B is under waist width, C is hips, D is middle leg width, E is total length, F is inside leg length, and G is crotch depth. Below the diagrams are two sets of silhouettes labeled 'Shape of Body Front' and 'Shape of Body Back', each with three options and a corresponding checkbox.

Measures in:

Cm-kg

inch-lbs

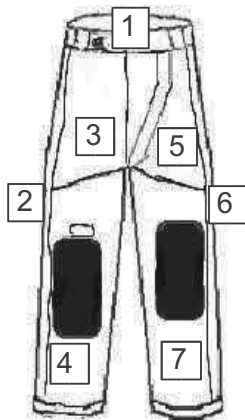
Height (Without Shoes)	
Weight	
A. Waist width	
B. Under waist width	
C. Hips	
D. Middle leg width	
E. Total length	
F. Inside leg length	
G. Crotch Depth	

Man

Woman

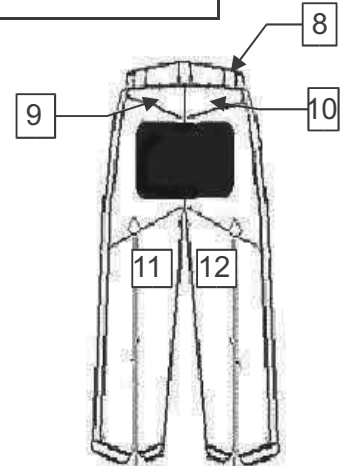
Right-Handed Shooter

Left-Handed Shooter



Choice of Color

Canvas	Leather
1. Black	A. Black
2. Blue	B. Blue
3. Green	C. Red
4. Red	D. White
5. Purple	
6. Pink	
7. Natural	● Leather
8. Yellow	
9. Maroon	
10. White	



1.	5.	9.		
2.	6.	10.		
3.	7.	11.		
4.	8.	12.		

Date: _____

Name: _____ Phone: _____

Address: _____ Fax: _____

_____ E-Mail _____